

# RG..R-ECblue

for three phase alternating current, 200-240 V

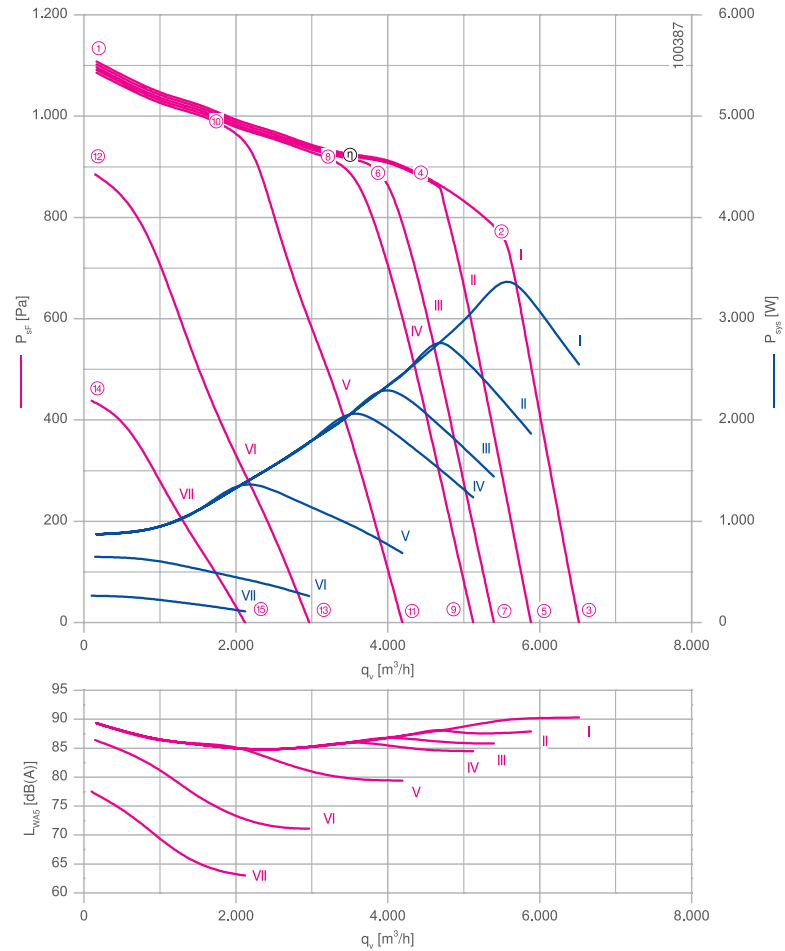
RG35R-ZIK



## Description

Motor technology: EC  
 Rated voltage U: **3-200-240 V\***  
 Rated frequency f: **50/60 Hz\***  
 Motor input power P: **3.40 kW\***  
 Rated current I: **10.50-8.60 A\***  
 Rated speed n: **1500 min<sup>-1</sup>\***  
 Thermal class: **THCL155\***  
 Min. permitted ambient temperature  $t_{r1}$ : -20 °C  
 Max. permitted ambient temperature  $t_{r2}$  at  $n_{max}$ : 40 °C  
 Electrical connection: integrated Controller  
 Balancing quality: G 6.3  
 Protection class: IP54  
 Motor protection: Integrated active temperature management  
 Impeller : Galvanised sheet metal, uncoated  
 Conformity: ErP 2015, CE  
**ErP-data**  
 Efficiency  $\eta_{statA}$ : 48.0 %  
 Efficiency:  $N_{actual} = 52.7 / N_{target} = 44^{**}$   
 EC controller integrated  
 \*Rated data  
 \*\*ErP 2015

## Characteristic curve

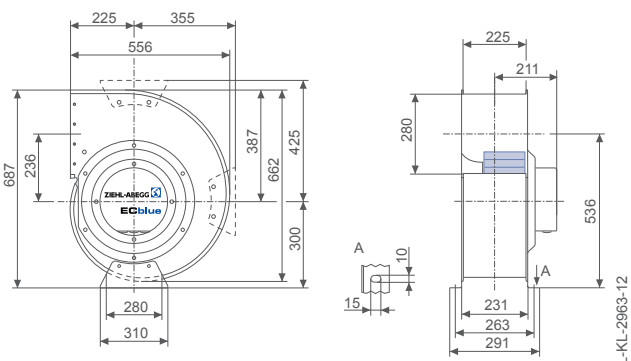


Measured with inlet ring, without guard grille according to ISO 5801

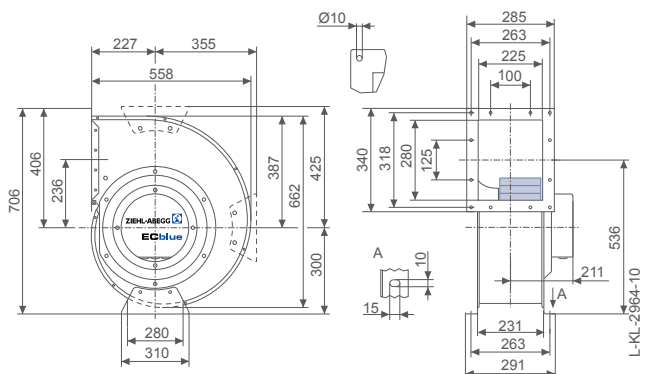
- Inlet ring 00411506 Page 264
- Connection diagram 1360-401 Page 366
- System components Page 262

## Dimensions [mm]

Fan with housing, single inlet, without flange



Fan with housing, single inlet, without flange






Performance data

Type	Characteristic curve	Speed	Speed	Operating point	Current	Motor input power	Suction side sound power level	Maximum ambient temperature
		n [min <sup>-1</sup> ]	%					
RG35R-ZIK.GG.4R	I	1500	100	①	2.40	880	89	40
		1500		②	9.00	3400	90	
		1080		③	6.80	2500	90	
	II	1500	80	④	7.40	2800	88	60
		970		⑤	5.00	1850	88	
	III	1500	100	⑥	6.00	2300	87	
		900		⑦	3.80	1450	86	
	IV	1500	100	⑧	5.40	2100	86	
		850		⑨	3.30	1250	85	
	V	1500	100	⑩	3.60	1350	85	
		700		⑪	1.90	680	79	
	VI	1350	90	⑫	1.80	640	86	
		500		⑬	0.82	260	71	
	VII	970	60	⑭	0.82	260	78	
		360		⑮	0.48	110	63	

Current values determined at 230V

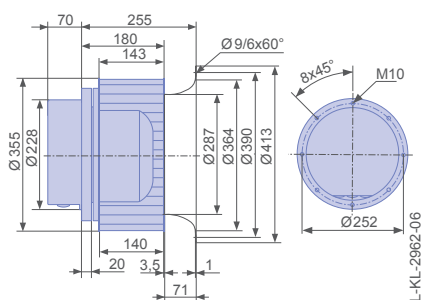
Fan ordering information

Design	RG (with flange)	RG (without flange)	RE
Installation position	H	H	H/Vu/Vo
			
Type	<b>RG35R-ZIK.GG.4R</b>	<b>RG35R-ZIK.GG.4R</b>	<b>RE35P-ZIK.GG.1R</b>
Article no.	<b>114941</b>	<b>114942</b>	<b>114932</b>
Weight [kg]	33.00	32.00	19.00
* Inlet ring not included			

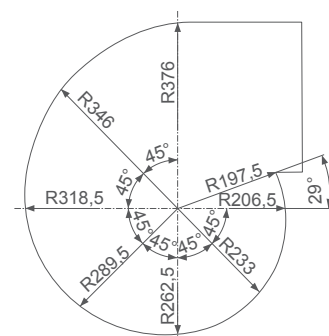
Control technology

Control module	Operating terminal	Expansion module
		
➤ Page 282	➤ Page 294	➤ Page 291

Motorised impeller



Used housing



# RG..R-ECblue

for three phase alternating current, 380-480 V

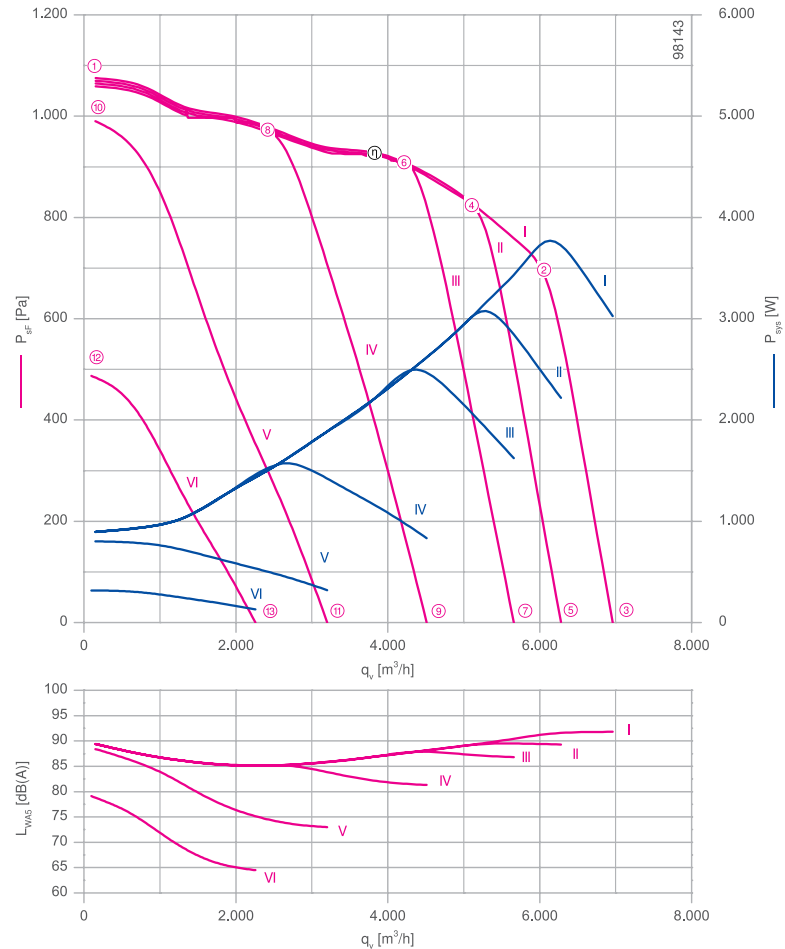
RG35R-ZIK



## Description

Motor technology: EC  
 Rated voltage U: **3-380-480 V\***  
 Rated frequency f: **50/60 Hz\***  
 Motor input power P: **3.80 kW\***  
 Rated current I: **6.00-4.80 A\***  
 Rated speed n: **1500 min<sup>-1</sup>\***  
 Thermal class: **THCL155\***  
 Min. permitted ambient temperature  $t_{r, \text{min}}$ : -20 °C  
 Max. permitted ambient temperature  $t_{r, \text{max}}$ : 40 °C  
 Electrical connection: integrated Controller  
 Number of blades : 42  
 Balancing quality: G 6.3  
 Protection class: IP54  
 Motor protection: Integrated active temperature management  
 Impeller : Galvanised sheet metal, uncoated  
 Conformity: ErP 2015, CE  
**ErP-data**  
 Efficiency  $\eta_{\text{statA}}$ : 48.7 %  
 Efficiency:  $N_{\text{actual}} = 52.8 / N_{\text{target}} = 44^{**}$   
 EC controller integrated  
 \*Rated data  
 \*\*ErP 2015

## Characteristic curve

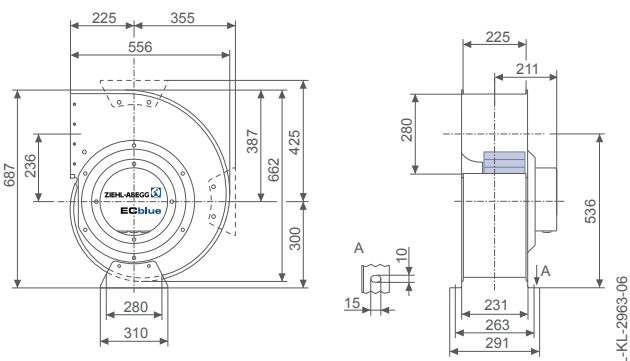


Measured with inlet ring, without guard grille according to ISO 5801

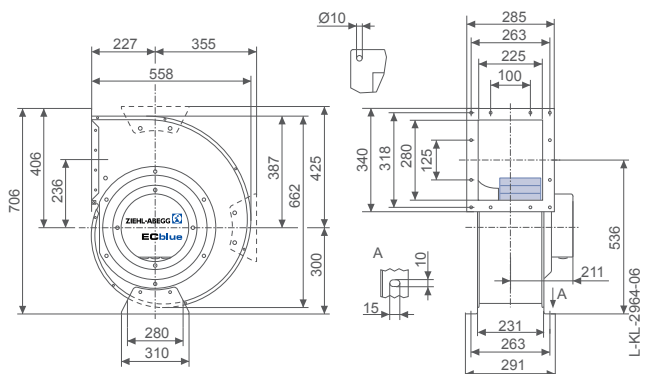
- Inlet ring 00411506 Page 264
- Connection diagram 1360-401 Page 366
- System components Page 262

## Dimensions [mm]

Fan with housing, single inlet, without flange



Fan with housing, single inlet, with flange






Performance data

Type	Characteristic curve	Speed	Speed	Operating point	Current	Motor input power	Suction side sound power level	Maximum ambient temperature
		n [min <sup>-1</sup> ]	%					
RG35R-ZIK.GG.4R	I	1500	100	①	1.50	900	89	40
		1500		②	5.80	3800	91	
		1140		③	4.60	3000	92	
	II	1500	80	④	4.80	3100	89	
		1040		⑤	3.40	2200	89	
	III	1500	100	⑥	3.90	2500	88	
		940		⑦	2.50	1600	87	
	IV	1500	100	⑧	2.50	1600	85	
		750		⑨	1.40	840	81	
	V	1450	100	⑩	1.35	800	88	
		540		⑪	0.70	320	73	
	VI	1020	70	⑫	0.72	320	79	
		390		⑬	0.42	130	65	

Current values determined at 400V

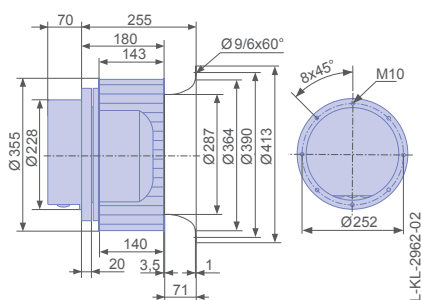
Fan ordering information

Design	RG (without flange)	RG (with flange)	RE
Installation position	H	H	H/Vu/Vo
			
<b>Type</b>	<b>RG35R-ZIK.GG.4R</b>	<b>RG35R-ZIK.GG.4R</b>	<b>RE35P-ZIK.GG.1R</b>
<b>Article no.</b>	<b>114801</b>	<b>114802</b>	<b>114788</b>
Weight [kg]	32.00	33.00	19.00
* Inlet ring not included			

Control technology

Control module	Operating terminal	Expansion module
		
➔ Page 282	➔ Page 294	➔ Page 291

Motorised impeller



Used housing

